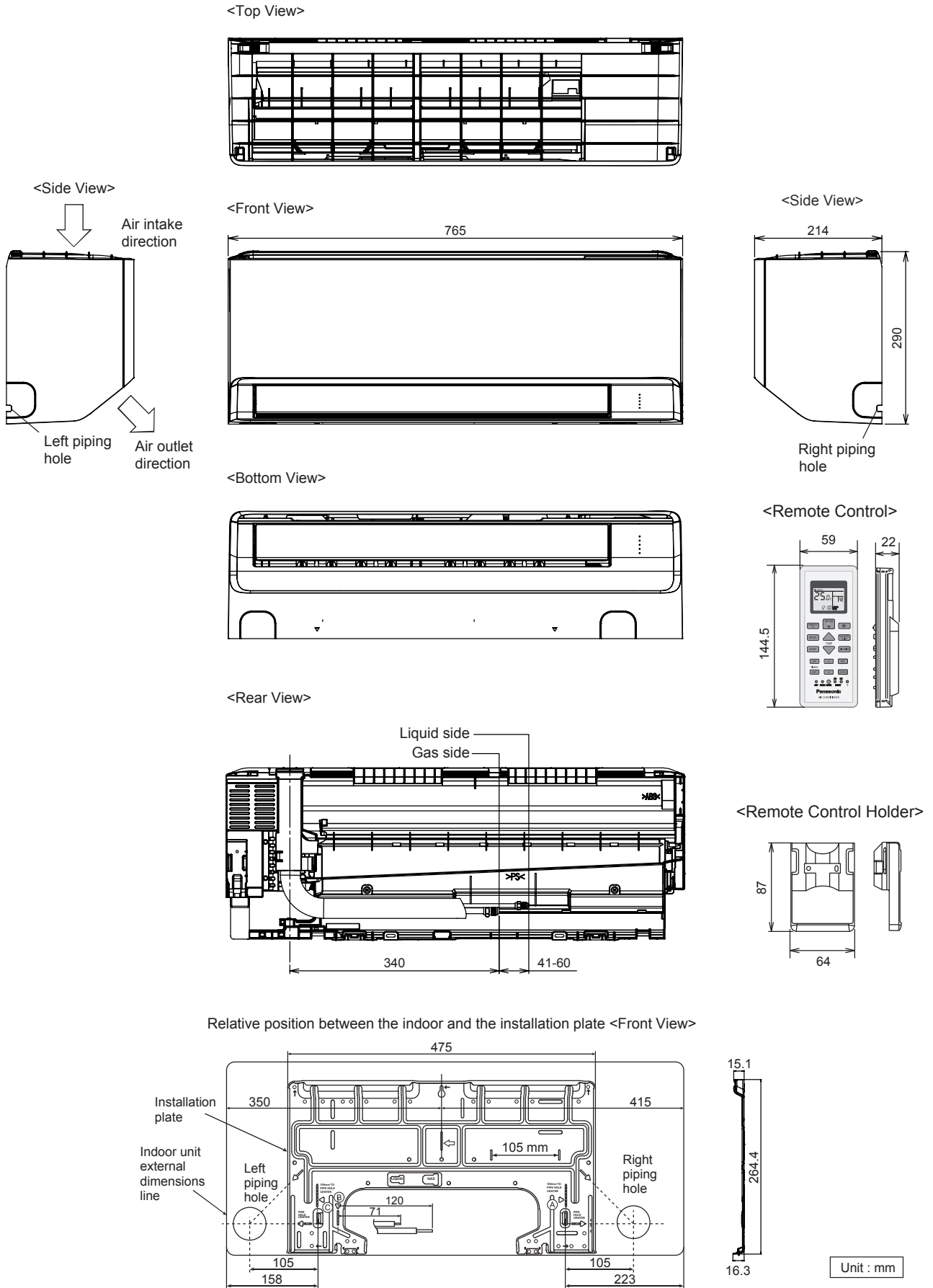


Dimensions

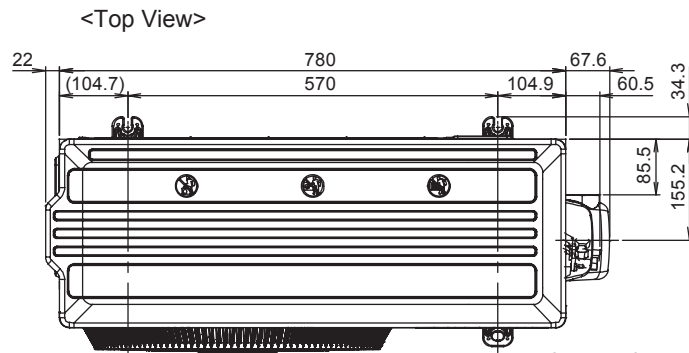
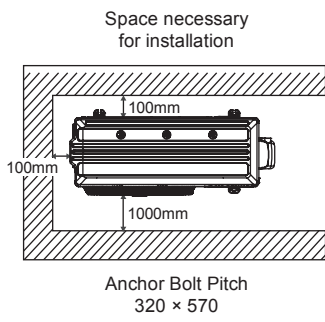
1. Indoor Unit

1.1 CS-YZ9AKH-8 / CS-YZ12AKH-8



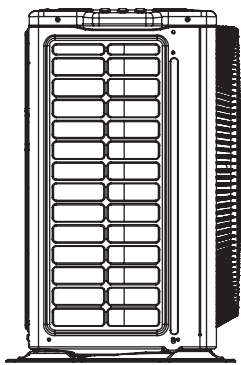
2. Outdoor Unit

2.1 CU-YZ9AKH-8 / CU-YZ12AKH-8

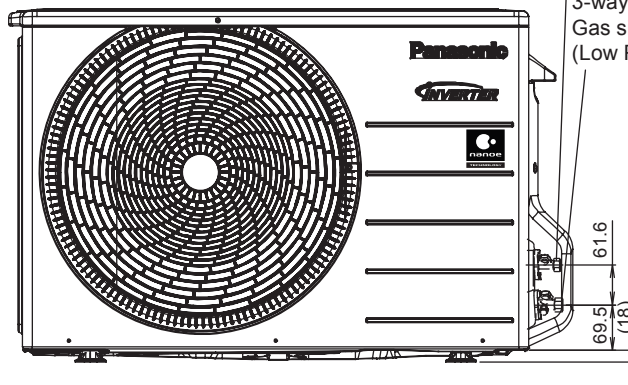


2-way valve at
Liquid side
(High Pressure)

<Side View>

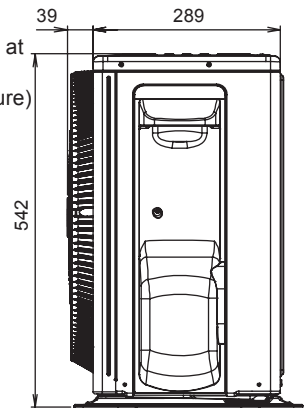


<Front View>



3-way valve at
Gas side
(Low Pressure)

<Side View>



Unit: mm